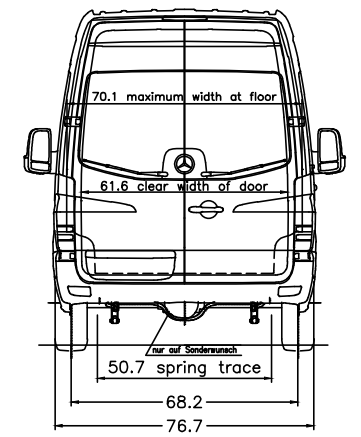


Hecktueroeffnung 90°/180°
(rear door opening)
Sonderausrustung 260°
(optional equipment)



- R07 Wheelbase 4325 mm, overhang 2015 mm
- M05 Engine Oil 242 DE 30 LA 140 kW (190 hp) 2800 rpm
- M08 Engine low-revolution 574 14/2000
- R08 Tyres LT 240/70 R16
- S04 Adjustable co-drivers seat
- T16 Sliding door, right
- X38 Higher weight 3,880 kg
- M00 Foglight
- Z01 All-wheel drive, engageable
- M00 Panel van

Important notes:
 - It is the responsibility of the bodybuilder to ensure that the vehicle is suitable for homologation after the body has been mounted.
 - The drawing is simplified to some extent and is not legally binding. For more details and further explanations please see the MBAC-Info User Guide in the bodybuilder portal.
 - Please check whether the drawing specification complies with the chassis configuration of your order.
 - Optional equipment codes not listed here, KW-codes and changes resulting from feasibility checks (BBA) are not included in the drawing.

vehicle type :	loading space =	547 cu.ft.	H		G		α°		β°		γ°		All dimensions refer to the standard version. Measurements of laden vehicle.		The reserve of rights for this drawing/the drawing may neither be copied nor passed on to any third person.	
906.637-13	84 sq.ft.		unladen	unladen	10B	27	28	19	Our instructions for the manufacture of superstructures must be observed, when planning in fit bodies of other than Mercedes-Benz manufacturers.			Dimensions are subject to a tolerance of up to +/- 3%		Cargo Van/Crew Van		
tyres	225/75R16	gross vehicle weight	GW (t)	FA (t)	RA (t)	Subject to change.						23.04.15		Abtlg. (Dept.) TE/SOD 70546 Stuttgart		
	225/75R16		1759	816										2500/4x2/170.3 HVA 9061000204		
						2025		Date		2025		Date		Mercedes-Benz		