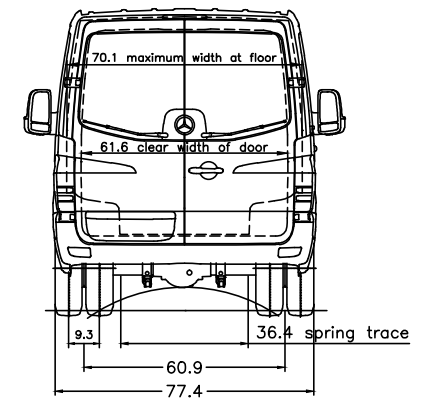


Hecktueroeffnung 90°/180°  
(rear door opening)  
Sonderausrustung 260°  
(optional equipment)



Important notes:  
- It is the responsibility of the bodybuilder to ensure that the vehicle is suitable for homologation after the body has been mounted.  
- The drawing is simplified to some extent and is not legally binding. For more details and further explanations please see the Mercedes-Benz User Guide in the bodybuilder portal.  
- Please check whether the drawing specification complies with the chassis configuration of your order.  
- Optional equipment codes not listed here, KW-codes and changes resulting from feasibility checks (BBA) are not included in the drawing.

103 Sprinter standard  
104 Wheelbase 3685 mm  
105 Engine OM 662 EC 3D LA 140 kW (190 hp) 3800 rpm  
107 Engine, low-emission EPA 16/CW8  
107 Tyres LT 215/85 R16  
104 Adjustable co-drivers seat  
116 Sliding door right  
160 Fovett  
203 All-wheel-drive, engageable, with low range  
240 Panel van

vehicle type :	loading space =	H	G	$\alpha^\circ$	$\beta^\circ$	$\delta^\circ$	All dimensions refer to the standard version. Measurements of laden vehicle.	the reserve of rights for this drawing. The drawing may neither be copied nor passed on to any third person.
906.653-13	56 sq.ft.	24.8	29	96.2	26	27	Our instructions for the manufacture of superstructures must be observed, when planning in fit bodies of other than Mercedes-Benz manufacturers.	Dimensions are subject to a tolerance of up to +/- 3%.
tyres	205/75R16 205/75R16	gross vehicle weight	GW (t)	FA (t)	RA (t)	Subject to change.		
			2269	907				
							23.04.15	
							205 Date	205 Date

Cargo Van/Crew Van  
Abtig.(Dept.)TE/SOD  
70546 Stuttgart  
3500/4x2/144.3  
Mercedes-Benz HVA 9061000227